

Butterfly Valve

Lug type, DN50 - 300

Application

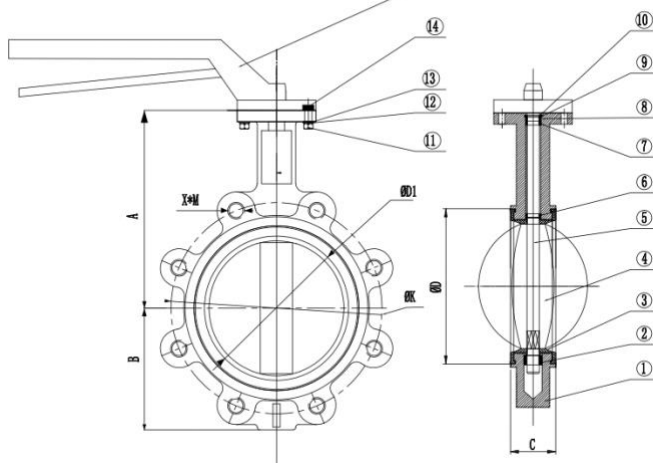
Drinking and neutral water 0 - 70°C

Specification

Size Range: DN50-300
 Pressure Class: PN10/16
 Medium: Drinking and neutral water up to 70°C
 Design: EN593
 Face to face: EN558-1: Serie 20
 Flange connections: EN1092-2
 Top flange connection: ISO5211
 Pressure test: EN12266
 Operation: Hand Lever / Gear Box

Features

Maintenance free
 Full bore
 100% watertight
 Coated with FB epoxy minimum 250 µm thickness
 Blue color RAL5015



Item	Part Name	Material
1	Body	EN-GJS-450-10
2	Sleeve	Copper
3	Seat	EPDM
4	Disc	DI + Nickel plated
5	Stem	AISI420
6	Sleeve	Copper
7	Seal	EPDM
8	Sleeve	Copper
9	Gasket	AISI201
10	Circlip	AISI201
11	Screw	AISI201
12	Gasket	AISI201
13	Gasket	AISI201
14	Screw	AISI201
15	Lever	Aluminum

DN	PN	A	B	C	ØD	ØD1	ØK	X*M	Top Flange	Weight Lever / Gera Box	ALVACO Ref. No.
50	10/16	130	72	43	81,8	52,6	125	4*M16	F05	3,5 / 6,1	BVL05016
65	10/16	145	75	46	94,3	64,3	145	4*M16	F05	4,3 / 6,9	BVL06516
80	10/16	156	90	46	112,5	78,8	160	8*M16	F05	4,9 / 7,5	BVL08016
100	10/16	169	108	52	137,5	104,0	180	8*M16	F07	7,0 / 10,0	BVL10016
125	10/16	191	125	56	163,0	123,5	210	8*M16	F07	9,2 / 12,0	BVL12516
150	10/16	212	140	56	192,8	155,7	240	8*M20	F07	11,0 / 13,5	BVL15016
200	16	246	166	60	247,0	202,5	295	12*M20	F10	- / 25,0	BVL20016
250	16	283	203	68	298,0	310,5	355	12*M20	F10	- / 35,0	BVL25016
300	16	318	236	78	352,0	333,3	410	12*M24	F10	- / 48,0	BVL30016

* All dimensions are in mm and weights in kg. The designation, technical data and others are non-binding and subject to change.