

Resilient Seated Gate Valve

Socket end for PVC pipes, DN50 - 300



Application

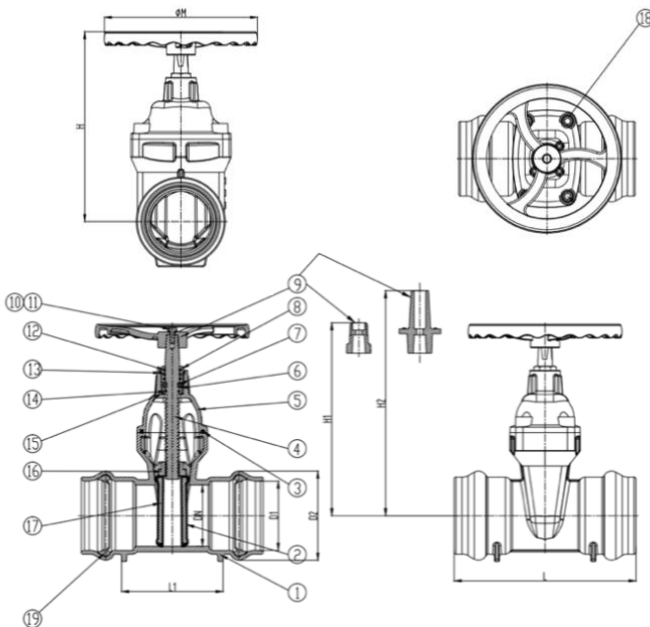
Drinking and neutral water 0 - 70°C

Specification

Size Range: DN50-300
 Pressure Class: PN16
 Medium: Drinking and neutral water up to 70°C
 Design: EN1171
 Face to face: EN558-1 Serie 3/14/15
 Pressure test: EN12266-1
 Operation: Handwheel / Headcap

Features

Maintenance free
 Full bore
 100% watertight
 Coated with FB epoxy minimum 250 µm thickness
 Blue color RAL5015



Item	Part Name	Material
1	Body	EN-GJS-450-10
2	Disc	DI + EPDM
3	Bonnet Gasket	NBR
4	Stem	AISI420
5	Bonnet	EN-GJS-450-10
6	Thrust Washer	Brass
7	Holding Ring	Brass
8	Thrust Nut	Brass
9	Hand wheel / Cap	EN-GJS-450-10
10	Bolts	AISI304
11	Washer	AISI304
12	O-Ring	NBR
13	O-Ring	NBR
14	O-Ring	NBR
15	O-Ring	NBR
16	Stem Nut	Brass
17	Core	EN-GJS-450-10
18	Screw	Galvanized Steel
19	Rubber Gasket	EPDM

DN	PVC Pipes OD	L	M	H	H1	H2	D1	D2	L1	Switch Turns	Closing Torq (N.m)	Weight	ALVACO Ref. No.
63	60/63	250	Ø180	215	220	275	66,5	91	140	9	40	7,1	RSGVPVC063
75	75	270	Ø200	250	250	310	78,5	106	155	10	50	11,5	RSGVPVC075
90	85/90	280	Ø200	275	275	330	88	123	157	12	60	13,0	RSGVPVC090
110	110	300	Ø220	320	330	380	114	147	167	12	80	15,7	RSGVPVC110
125	125	325	Ø254	365	370	415	144	178	176	14,5	100	21,4	RSGVPVC125
140	140	325	Ø254	365	370	415	144	178	176	14,5	100	21,4	RSGVPVC140
160	160	350	Ø280	400	405	450	165	201	187	17	120	28,1	RSGVPVC160
200	200/225	400	Ø315	495	515	550	229	272	208	18,5	150	47,4	RSGVPVC200
250	250	450	Ø406	590	610	645	254	300	235	23	200	82,0	RSGVPVC250
315	315	500	Ø406	670	690	725	318	370	240	27	250	107,0	RSGVPVC315

* All dimensions are in mm and weights in kg. The designation, technical data and others are non-binding and subject to change.

